

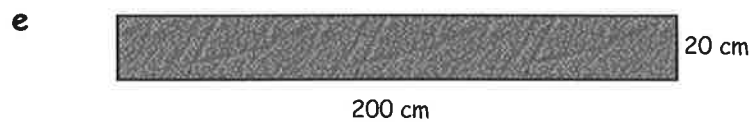
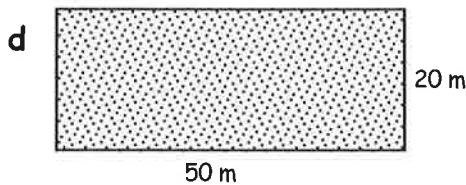
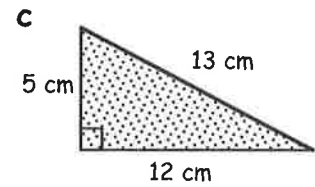
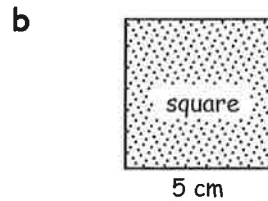
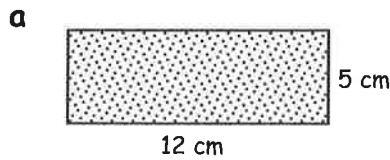
CHAPTER 8



Exercise 1 Perimeter & Area

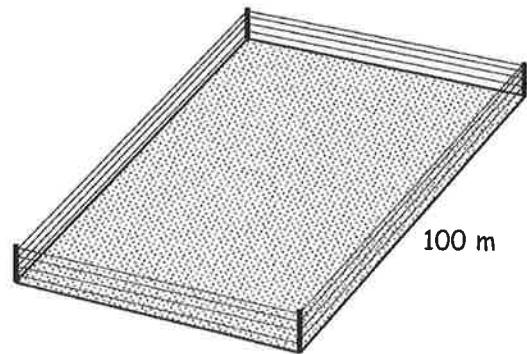


1. Calculate :- (i) the perimeter (ii) the area of each shape below :-



2. Four strips of electrical wire fence surround a rectangular field with area 8000 square metres.

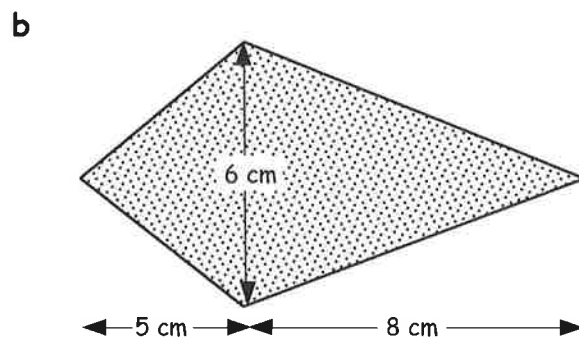
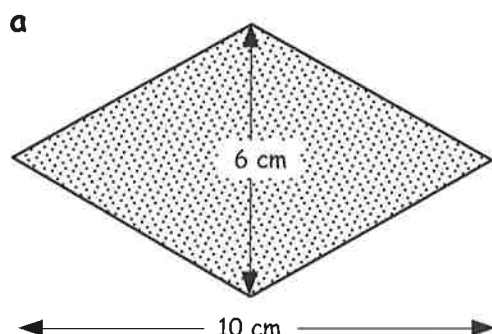
- a Find the width of the field given that the length is 100 metres.
b What is the total length of wire needed?
c The wire costs 18p per metre.
How much will the wire cost in total?

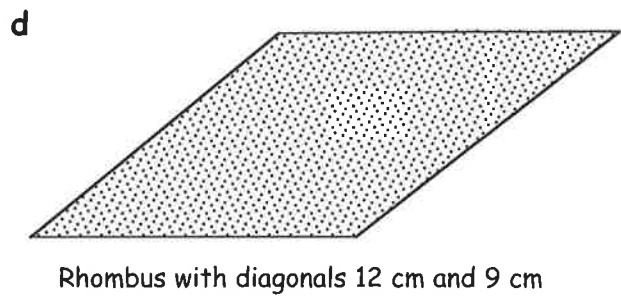
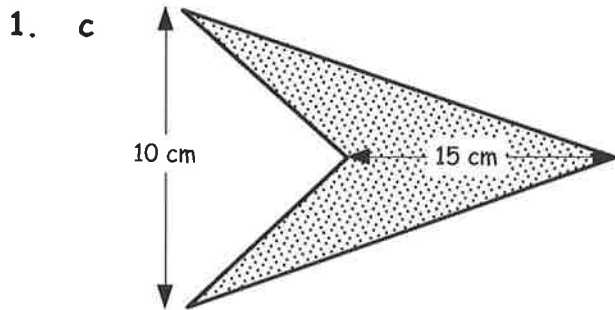


Exercise 2 Area of a Rhombus & Kite



1. Using $A = \frac{1}{2}(D \times d)$, calculate the area of each rhombus and kite below :-

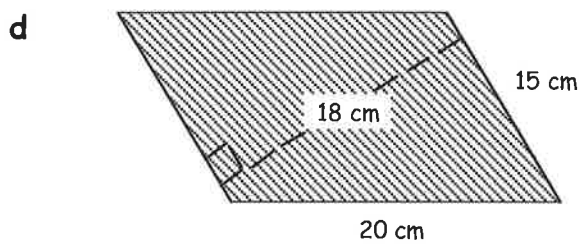
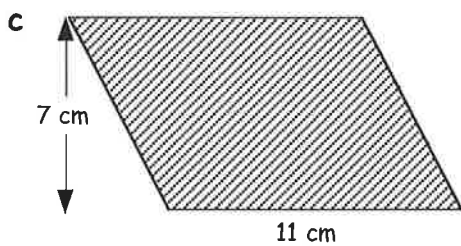
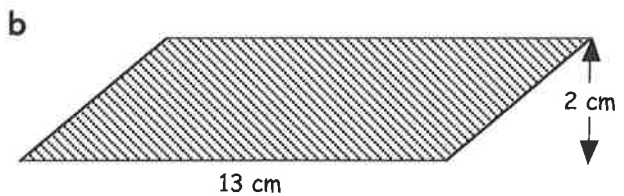
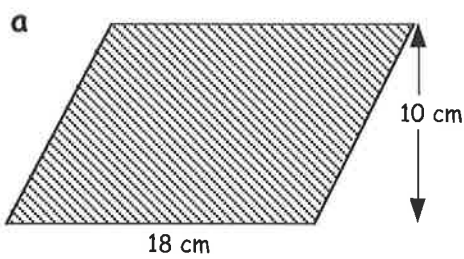




Exercise 3 Area of a Parallelogram



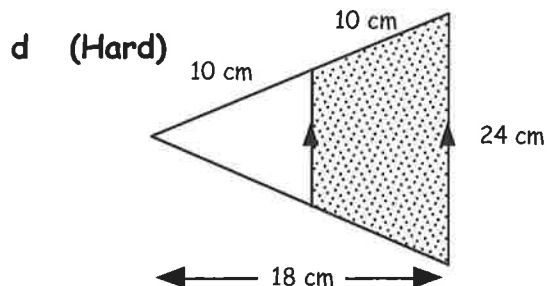
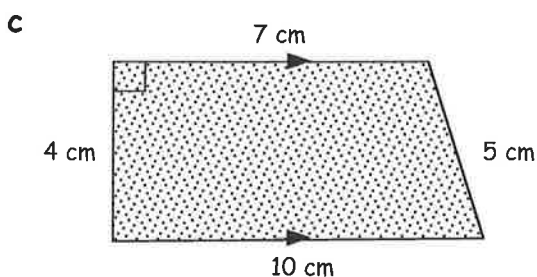
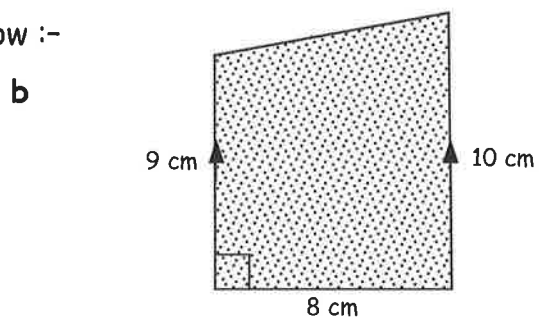
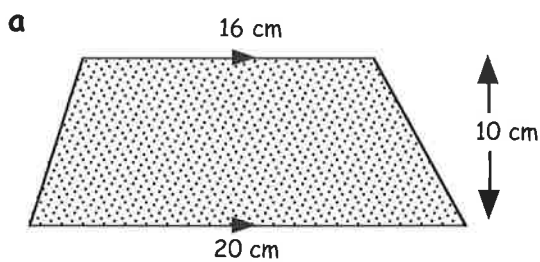
1. Using $A = B \times H$, calculate the area of each parallelogram below :-



Exercise 4 Area of a Trapezium



1. Calculate the area of each trapezium below :-

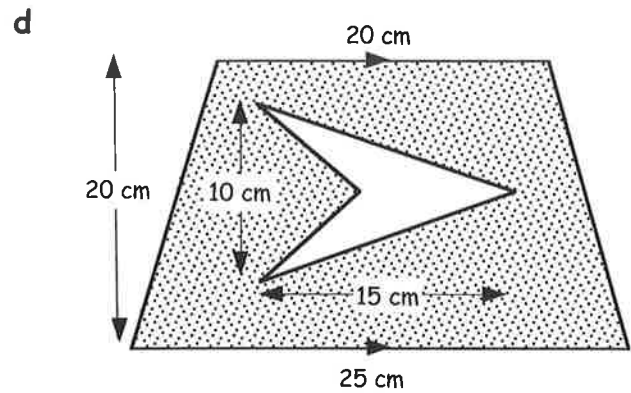
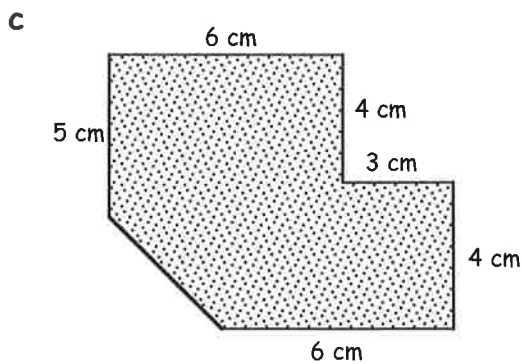
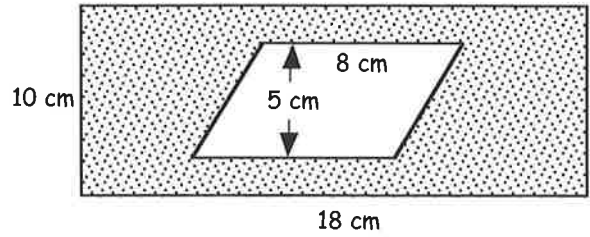
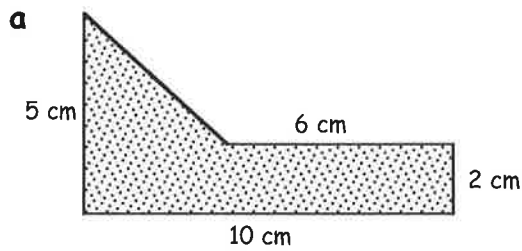


Exercise 5

Composite Areas



1. Calculate the area of each composite shape below :-

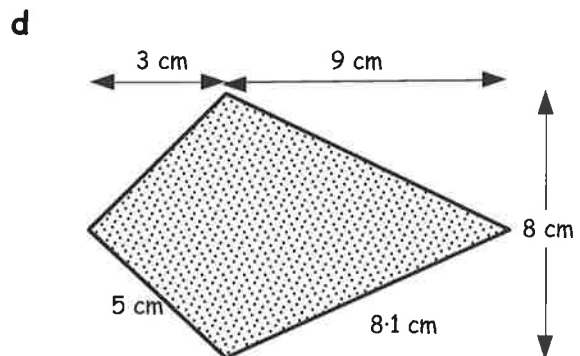
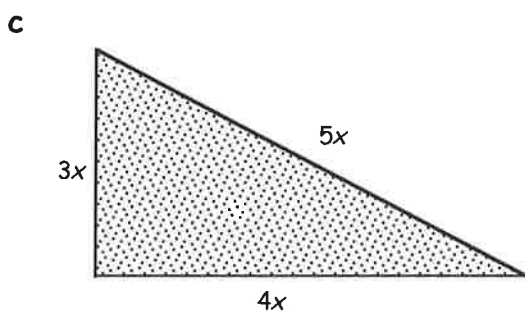
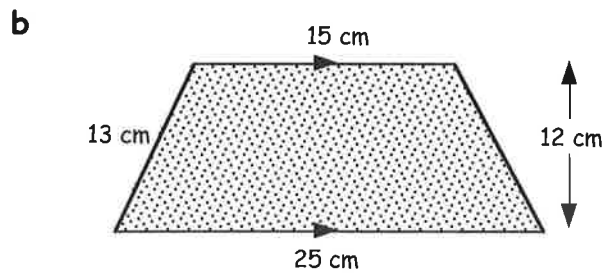
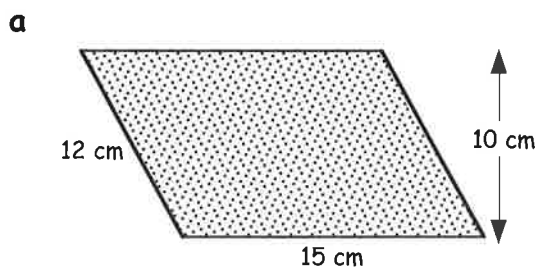


Revisit - Review - Revise Exercise 8



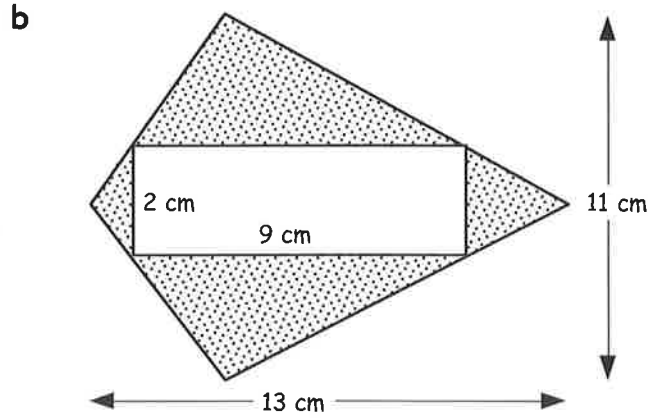
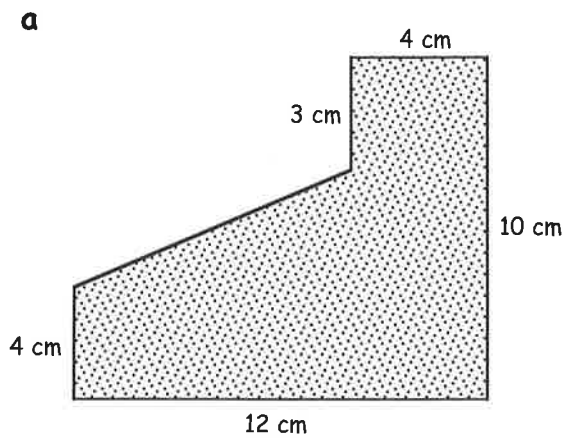
1. For each shape below :-

(i) name the shape (ii) state the formula used to find its area (iii) find the area.



2. Find the perimeter of each shape in question 1. (Shape d has a line of symmetry).

3. Calculate the **area** of each composite shape below :-



Non-Calculator Ex 3



- Round to the nearest 10 :-

a 4752	b 601687.
---------------	------------------
- Write each of the numbers in question 1 using words.
- Find :-

a 345×6	b 9086×7	c 364×50
d $2375 \div 5$	e $116 \div 3$	f $650 \cdot 34 \div 2$.
- Find :-

a $\frac{1}{4}$ of 568 kg	b $\frac{2}{3}$ of £13 500	c $\frac{7}{11}$ of 12 100 g
d 25% of \$2840	e 15% of 12 m	f 3% of 7700 kJ.
- Write down two equivalent fractions to :-

a one third	b one tenth	c three sevenths.
--------------------	--------------------	--------------------------
- A square has a side length of 12 cm.
Find :-

a the perimeter	b the area.
------------------------	--------------------
- What size of square has its perimeter equal to its area ?
- $7 \cdot 6 + 6 \cdot 52 - 8 \cdot 004$ is equal to a half of what number ?

